

RC-V2TRHD-C Series

2-CHANNEL DIGITALLY ENCODED
HD-CVI/TVI/AHD VIDEO TRANSMITTER AND
RECEIVER MODULE



OVERVIEW

RC-V2HDTR-C series video transmitter and receiver card module incorporates an all-digital encoding technology that transmits two channels of 10-bit digitally broadcast quality HD-CVI, AHD or HD-TVI video signal over one core singlemode or multimode fiber. The RC-V2HDTR-C is available as rack mountable cards that can be installed in Rancent's RC-300C 19" rack mount chassis. This system can be configured in either star (module to rack) or trunking (rack to rack) configurations for different video transmission applications. The hot-pluggable and adjustment-free design ensures the convenience of the installation and operation.

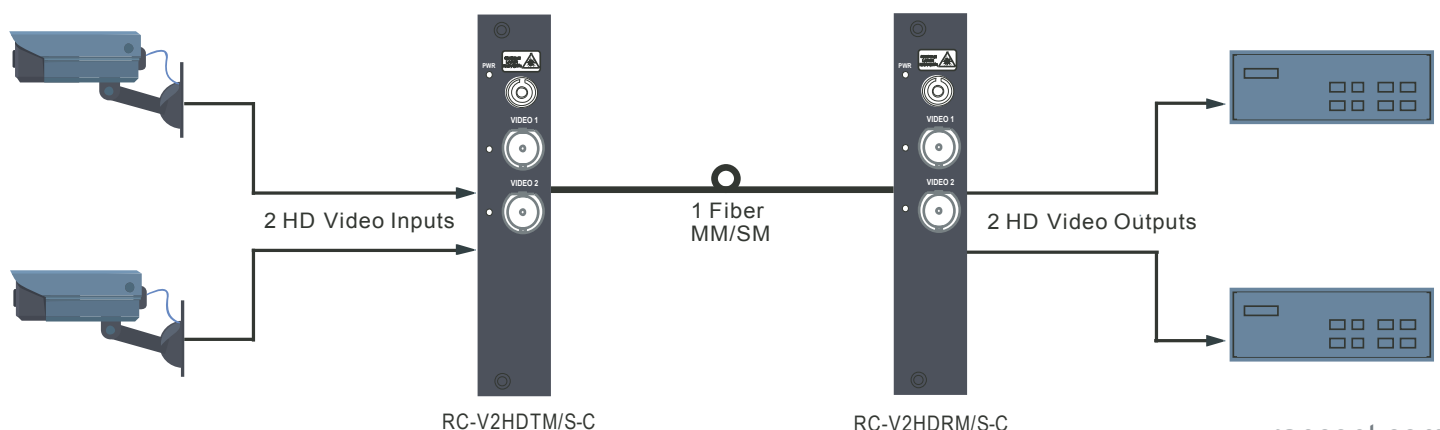
FEATURES

- 10-Bit Digitally Encoded Uncompressed Transmission
- Compatible with NTSC, PAL or SECAM Video Standards
- High Performance Laser-based Optics
- Plug-and-play Design with No Adjustment Required
- Local LED Indicators to Monitor System Status
- Wide Optical Dynamic Range
- No EMI, RFI, Cross Talk and Video Distortion
- Support up to 30KM
- No Video Degradation and Optical Attenuation
- Multimode or Singlemode Fiber
- Standalone or Rack Mount Options

APPLICATIONS

- Analog HD CCTV(Fixed Video)
- Intelligent transportation systems (ITS)
- Security and surveillance
- Access Control

SYSTEM DESIGN



RC-V2HDTR-C Series

2-Channel Digital Encoded HD-CVI/TVI/AHD Video Transmitter and Receiver Module

SPECIFICATIONS

Video

Video Input	1 volt pk-pk (75 ohms)
Video Voltage Range	0.6~2.0Vp-p
Video Input/Output Channels	2
Bandwidth	60 MHz
Bit Resolution	10-bit
Differential Gain	1%
Differential Phase	<1°
Tilt	< 1%
Up/down time	<0.8ns
Max. Shake	<0.2 UI
Reflection Loss	>15dB
S/N Ratio	> 60dB (Weighted)

Optical

Wavelength	1310nm, Multimode 1310nm, Singlemode
Optical Emitter	Laser Diode
Number of Fibers	1

Indicating LEDs

Power Present
Video Present

Connectors

Optical	ST or SC
Video	BNC

General

Power Supply	DC5V 2A
Size	170 x 129 x 20.5mm
Construction:	Aluminum
Finish:	Paint
MTBF:	> 100,000 hours
Operating Temp	-35° C to + 65°C
Storage Temp	-40° C to +85°C



ORDERING INFORMATION

Part Number	Description	Fiber	Optical PWR Budget	Max Distance
RC-V2HDTS-C	2-CH HD-CVI/TVI/AHD Video TX Module	Singlemode	20dB	30KM
RC-V2HDRS-C	2-CH HD-CVI/TVI/AHD Video RX Module	Singlemode	20dB	30KM
RC-V2HDTM-C	2-CH HD-CVI/TVI/AHD Video TX Module	Multimode	14dB	3KM
RC-V2HDRM-C	2-CH HD-CVI/TVI/AHD Video RX Module	Multimode	14dB	3KM

*Optical transmission distance is limited to optical loss of the fiber and any additional loss introduced by connectors, splices and patch panels.