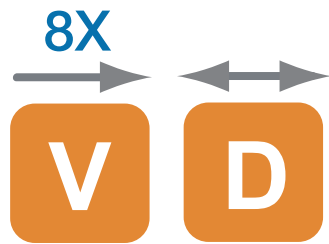


# RC-V8BD1T/R-C Series

8-CHANNEL DIGITALLY ENCODED VIDEO WITH 1-CHANNEL BI-DIRECTIONAL DATA TRANSMITTER AND RECEIVER MODULE



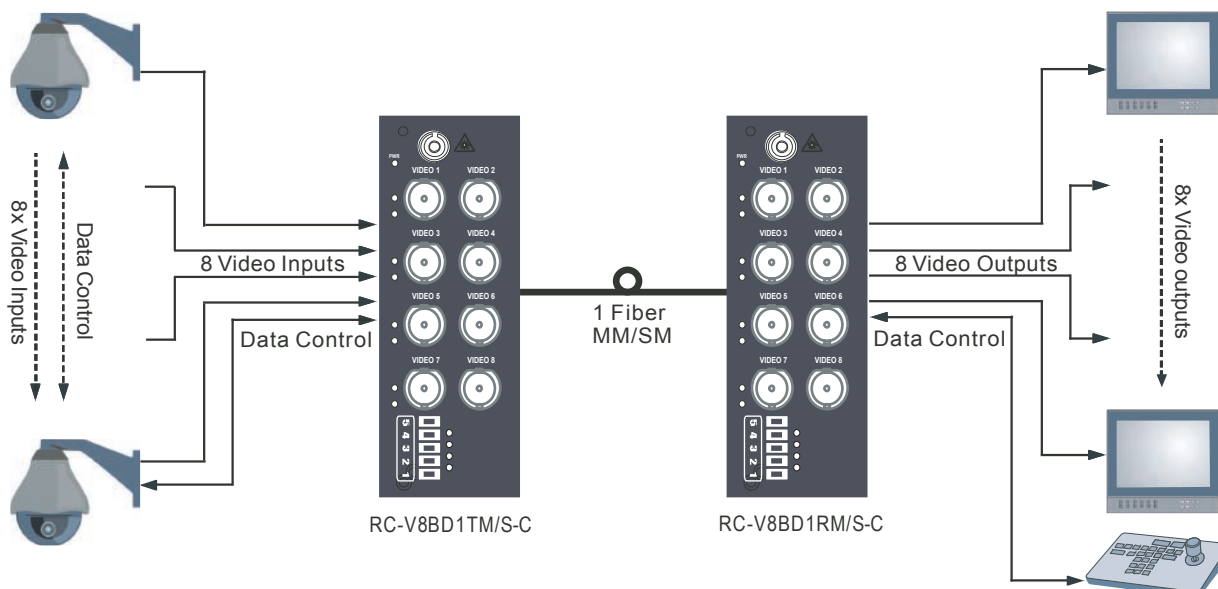
## OVERVIEW

RC-V8BD1T/R-C series video transmitter and receiver card module incorporates an all-digital encoding technology that transmits 8-channel 8-bit digitally encoded video and 1-channel bi-directional data over one core singlemode or multimode fiber. The model is available as rack mountable cards that can be installed in Rancent's RC-300C 19" rack mount chassis. This system can be configured in either star (module to rack) or trunking (rack to rack) configurations for different video transmission applications. The hot-pluggable and adjustment-free design ensures the convenience of the installation and operation.

## APPLICATIONS

- CCTV(Fixed Video)
- Intelligent transportation systems (ITS)
- Security and surveillance
- Access Control

## SYSTEM DESIGN



## FEATURES

- 8-Bit Digitally Encoded Uncompressed Transmission
- Compatible with NTSC, PAL or SECAM Video Standards
- Simultaneous Transmission of Video and Data
- Simplex or Full-duplex RS485 or RS422 Operation
- High Performance Laser-based Optics
- Plug-and-play Design with No Adjustment Required
- Local LED Indicators to Monitor System Status
- Wide Optical Dynamic Range
- No EMI, RFI, Cross Talk and Video Distortion
- Support up to 30KM
- No Video Degradation and Optical Attenuation
- Multimode or Singlemode Fiber

# RC-V8BD1TR-C Series

8-Channel Digital Encoded Video with 1-Channel Bi-Data Transmitter and Receiver Module

## SPECIFICATIONS

### Video

Video Input	1 volt pk-pk (75 ohms)
Video Voltage Range	0.6~2.0Vp-p
Video Input/Output Channels	8
Bandwidth	5 Hz to 8 MHz
Bit Resolution	8-bit
Differential Gain	1%
Differential Phase	<1°
Tilt	< 1%
S/N Ratio	> 60dB (Weighted)

### Data

Data Protocol	RS485/RS422/RS232
Data Rate	0~300kps
Data Channels	1 (Bi-directional)
Error Rate	10

### Indicating LEDs

Power Present
Video Present

### Optical

Wavelength	850/1310nm, MM 1310/1550nm, SM
Optical Emitter	Laser Diode
Number of Fibers	1

### Connectors

Optical	ST or SC
Video	BNC

### General

Power Supply	DC5V 2A
Size	173x 129 x41mm
Construction:	Aluminum
Finish:	Paint
MTBF:	> 100,000 hours
Operating Temp	-35° C to + 65°C
Storage Temp	-40° C to +85°C

## ORDERING INFORMATION

Part Number	Description	Fiber	Optical PWR Budget	Maximum Distance
RC-V8BD1TS-C	8 Video/1 Bi Data TX Module	Singlemode	20dB	30KM
RC-V8BD1RS-C	8 Video/1 Bi Data RX Module	Singlemode	20dB	30KM
RC-V8BD1TM-C	8 Video/1 Bi Data TX Module	Multimode	14dB	2KM
RC-V8BD1RM-C	8 Video/1 Bi Data RX Module	Multimode	14dB	2KM

\*Optical transmission distance is limited to optical loss of the fiber and any additional loss introduced by connectors, splices and patch panels.