

# RC-V4T/R-C Series

4-CHANNEL DIGITALLY ENCODED  
VIDEO TRANSMITTER AND RECEIVER MODULE



## OVERVIEW

RC-V4R-C series video transmitter and receiver card module incorporates an all-digital encoding technology that transmits four channels of 8-bit digitally broadcast quality video signal over one core singlemode or multimode fiber. The RC-V4T/R-C product is available as rack mountable cards that can be installed in Rancent's RC-300C 19" rack mount chassis. This system can be configured in either star (module to rack) or trunking (rack to rack) configurations. The hot-pluggable and adjustment-free design ensures the convenience of the installation and operation.

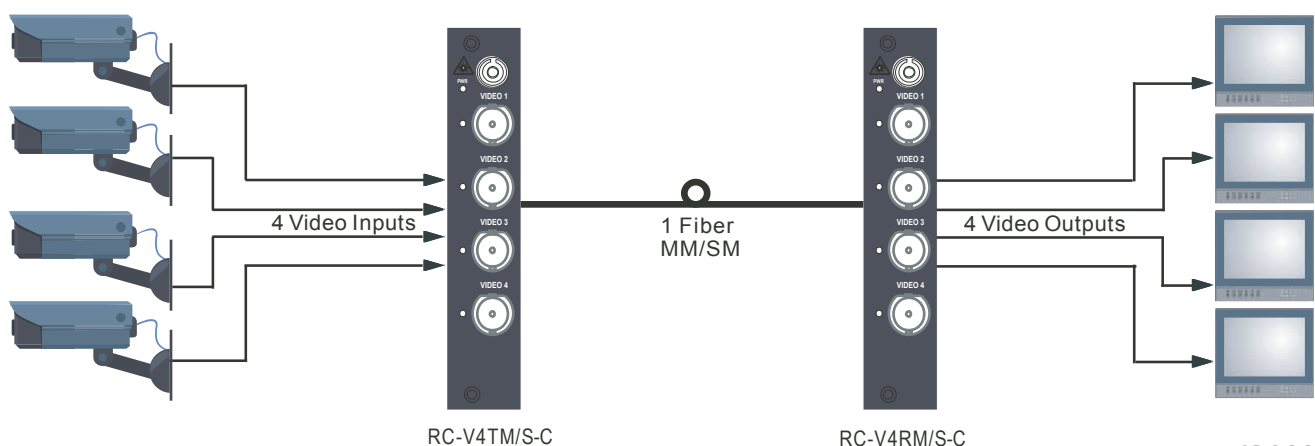
## APPLICATIONS

- CCTV(Fixed Video)
- Intelligent transportation systems (ITS)
- Security and surveillance
- Access Control

## FEATURES

- 8-Bit Digitally Encoded Uncompressed Transmission
- Compatible with NTSC, PAL or SECAM Video Standards
- High Performance Laser-based Optics
- Plug-and-play Design with No Adjustment Required
- Local LED Indicators to Monitor System Status
- Wide Optical Dynamic Range
- No EMI, RFI, Cross Talk and Video Distortion
- Support up to 30KM
- No Video Degradation and Optical Attenuation
- Multimode or Singlemode Fiber
- Standalone or Rack Mount Options

## SYSTEM DESIGN



# RC-V4TR-C Series

## 4-Channel Digital Encoded Video Transmitter and Receiver Module

### SPECIFICATIONS

#### Video

Video Input	1 volt pk-pk (75 ohms)
Video Voltage Range	0.6~2.0Vp-p
Video Input/Output Channels	4
Bandwidth	5 Hz to 8 MHz
Bit Resolution	8-bit
Differential Gain	1%
Differential Phase	<1°
Tilt	< 1%
S/N Ratio	> 60dB (Weighted)

#### Optical

Wavelength	1310nm, Multimode 1310nm, Singlemode
Optical Emitter	Laser Diode
Number of Fibers	1

#### Indicating LEDs

Power Present
Video Present

#### Connectors

Optical	ST or SC
Video	BNC

#### General

Power Supply	DC5V 2A
Size	170 x 129 x 20.5mm
Construction:	Aluminum
Finish:	Paint
MTBF:	> 100,000 hours
Operating Temp	-35° C to + 65°C
Storage Temp	-40° C to +85°C



### ORDERING INFORMATION

Part Number	Description	Fiber	Optical PWR Budget	Max Distance
RC-V4TS-C	4-Channel Video Transmitter Module	Singlemode	20dB	30KM
RC-V4RS-C	4-Channel Video Receiver Module	Singlemode	20dB	30KM
RC-V4TM-C	4-Channel Video Transmitter Module	Multimode	14dB	3KM
RC-V4RM-C	4-Channel Video Receiver Module	Multimode	14dB	3KM

\*Optical transmission distance is limited to optical loss of the fiber and any additional loss introduced by connectors, splices and patch panels.